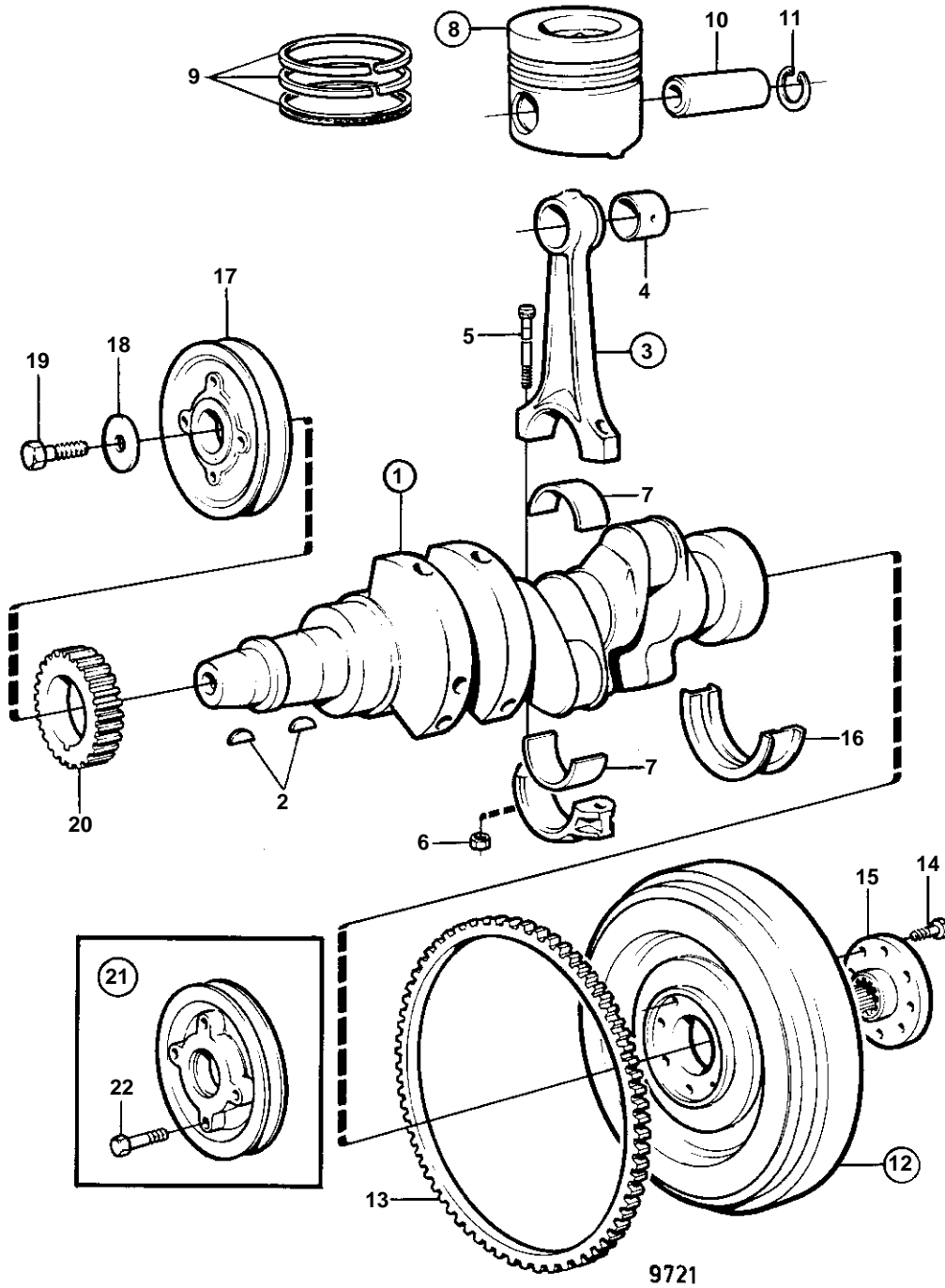


2003T



2003T

REF	PART NO.	QTY	DESCRIPTION	NOTES
1	876252	1	Crankshaft	
2	910118	2	· Woodruff key	
3	860073	3	Connecting rod	(840706)
4	840703	3	· Bushing	
5	840704	6	· Screw	
6	840705	6	· Nut	
7	875747	3	Big end bearing kit	STD D
	875748	3	Big end bearing kit	0,25MM U.S
	875749	3	Big end bearing kit	0,50MM U.S
8	876117	3	Piston kit	STD D (876002)
	876118	3	Piston kit	0,25MM O.S (876003)
	876119	3	Piston kit	0,50MM O.S (876004)
9	876114	3	· Piston ring kit	STD D (876012)
	876115	3	· Piston ring kit	0,25MM O.S (876013)
	876116	3	· Piston ring kit	0,50MM O.S (876014)
10	840422	3	· Piston pin	
11	951086	6	· Lock ring	
12	840321	1	Flywheel	
13	1326333	1	· Gear ring	
14	970878	8	Screw	L = 40 MM (963245)
15	840592	1	Companion flange	
16	875751	1	Main bearing kit	STD D
	875753	1	Main bearing kit	0,25MM U.S
	875755	1	Main bearing kit	0,50MM U.S
17	840668	1	Pulley	
18	190763	1	Washer	
19	970948	1	Screw	(955318)
20	840350	1	Gear	*
21	840777	1	Pulley, EXTRA	
22	955297	4	· Screw	